

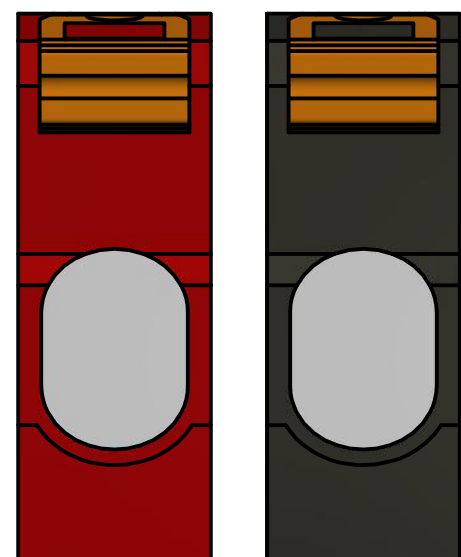
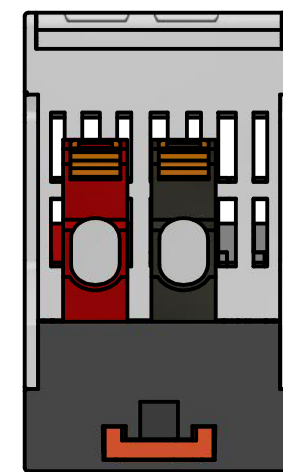
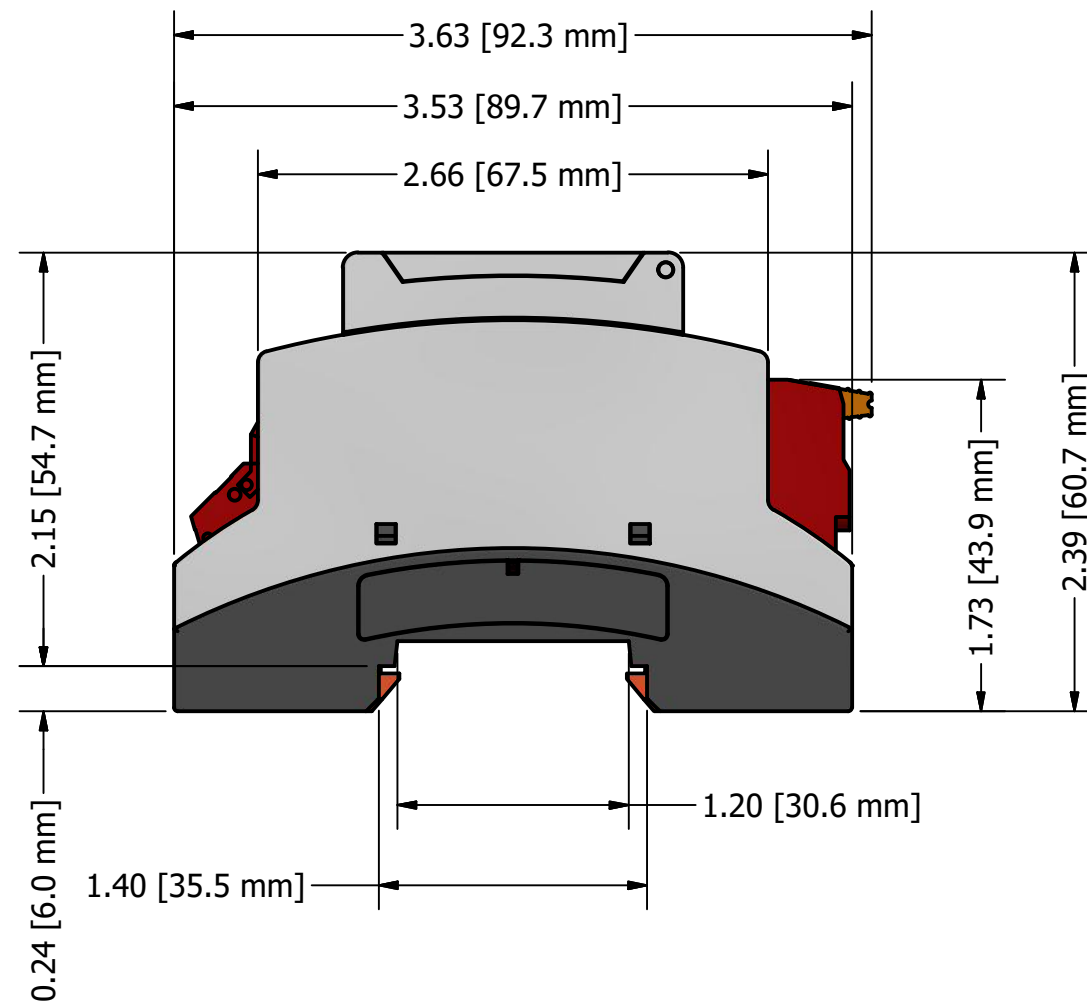
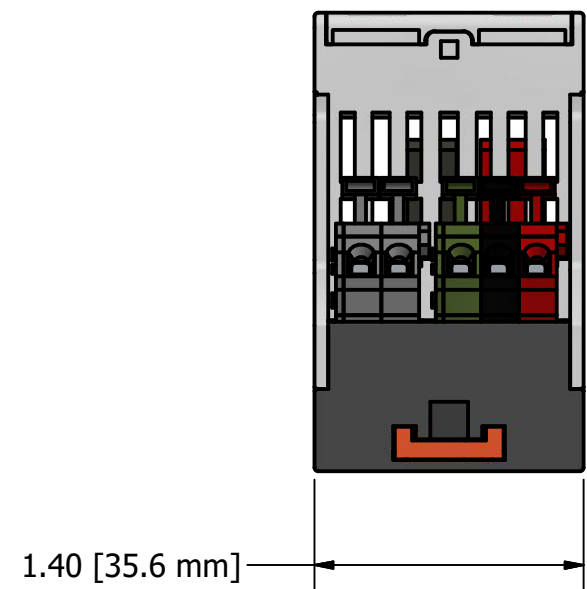
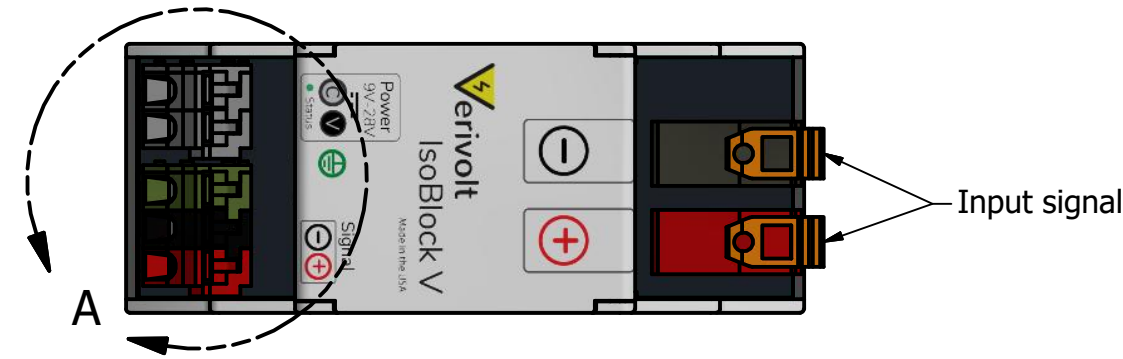
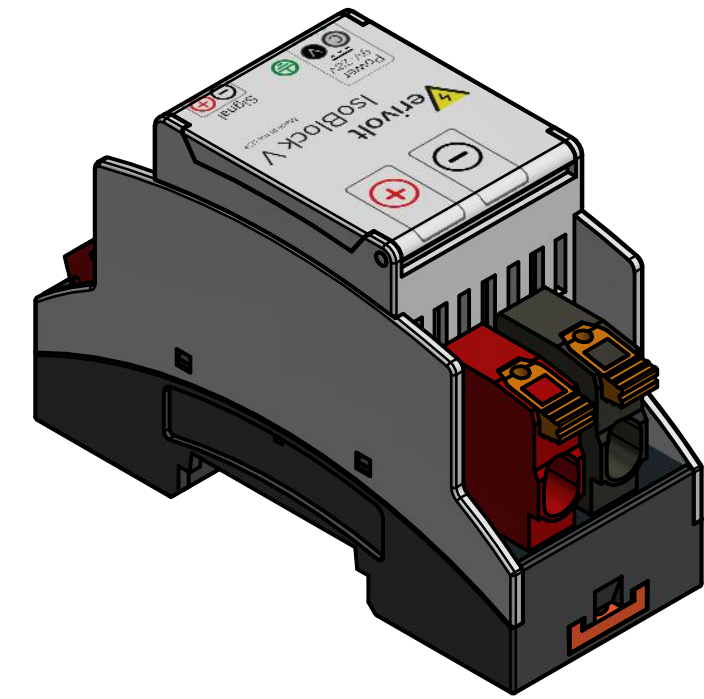
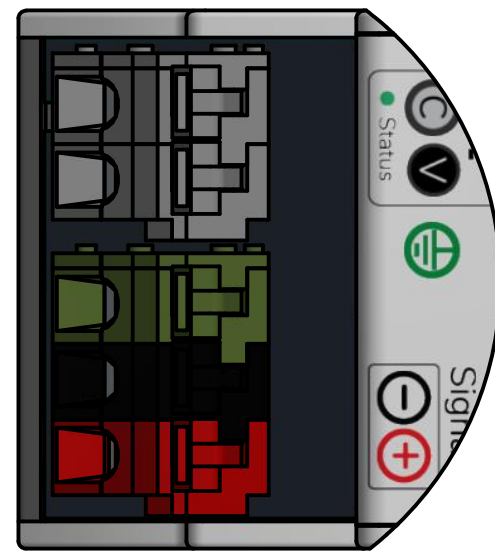
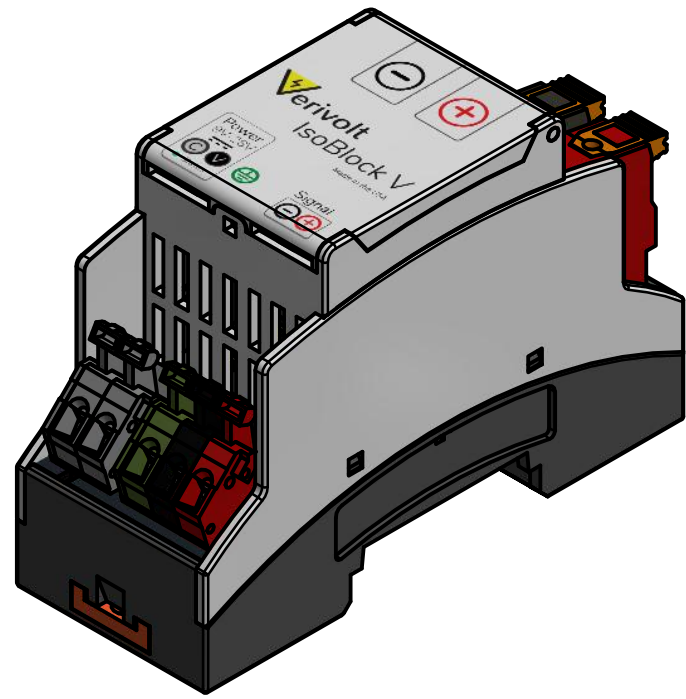
4

3

2

1

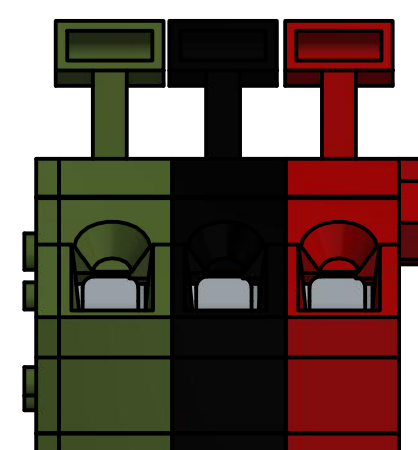
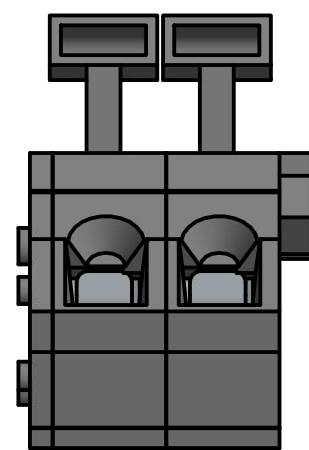
DETAIL A  
SCALE 2 : 1




Conductor cross section AWG min.24  
Conductor cross section AWG max.10  
Conductor cross section min.0.2 mm<sup>2</sup>  
Conductor cross section max.6 mm<sup>2</sup>  
Stripping length 12 mm  
Rated surge voltage (III/3) 8 kV

Conductor cross section:  
28-14 AWG / 0.08-2.08 mm<sup>2</sup>  
Wire stripe length: 6-7 mm

Conductor cross section:  
28-14 AWG / 0.08-2.08 mm<sup>2</sup>  
Wire stripe length: 6-7 mm



DRAWN J. Lizarazo	4/18/2019			
CHECKED				
QA		IsoBlock V-1c		
MFG		SIZE C	DWG NO	REV
APPROVED		SCALE	IsoBlock V-1c	
			SHEET 1 OF 1	

4

3

2

1