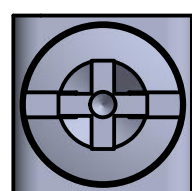
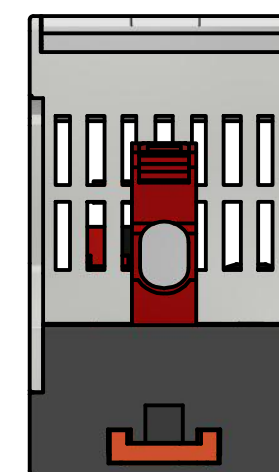
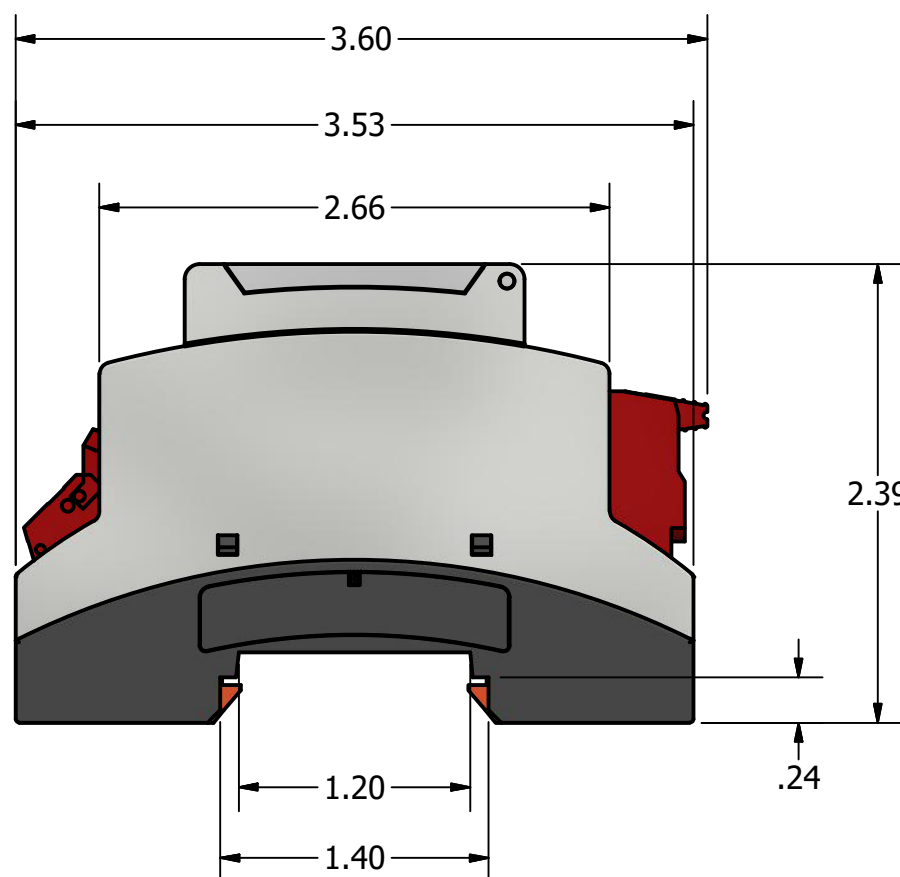
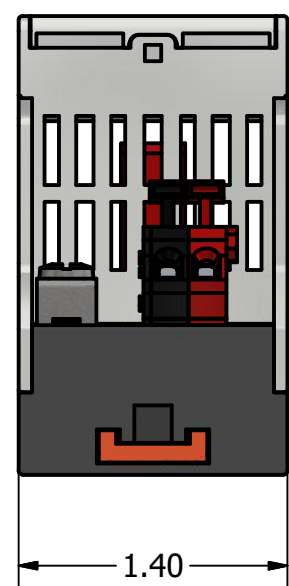
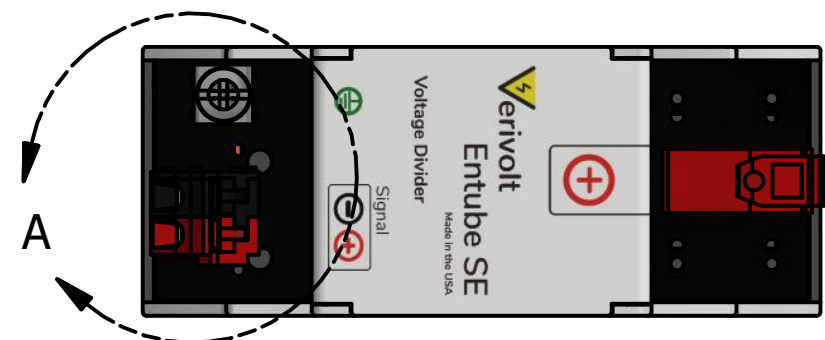
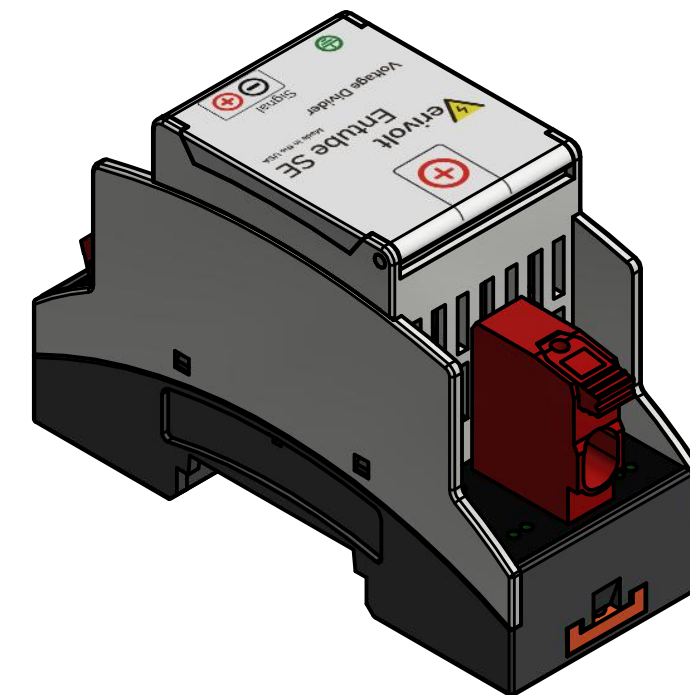
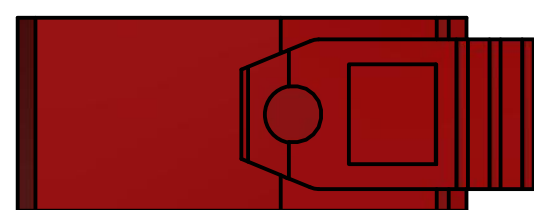


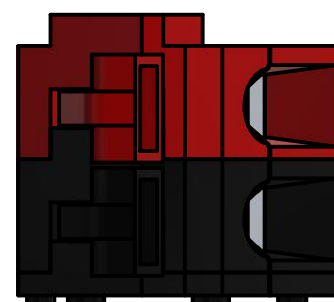
DETAIL A  
SCALE 2 : 1



**Ground lug**  
6/32 x 1/4L Screw  
0.31" square surface  
Brass, Nickel plate



Conductor cross section AWG min.24  
Conductor cross section AWG max.10  
Conductor cross section min.0.2 mm<sup>2</sup>  
Conductor cross section max.6 mm<sup>2</sup>  
Stripping length 12 mm  
Rated surge voltage (III/3)8 kV



Conductor cross section solid min.0.2 mm<sup>2</sup>  
Conductor cross section solid max.1.5 mm<sup>2</sup>  
Conductor cross section AWG min.24  
Conductor cross section AWG max.16  
Stripping length 8 mm

DRAWN J. Lizarazo	2/20/2019			
CHECKED				
QA		Entube SE		
MFG		SIZE	DWG NO	REV
APPROVED		C	Entube SE	
		SCALE	SHEET 1 OF 1	